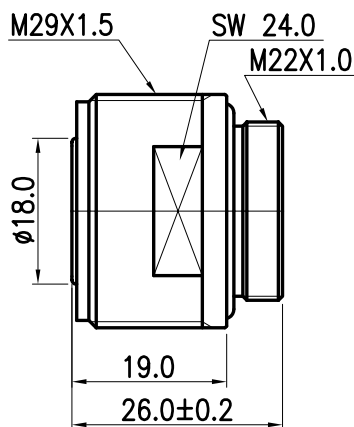


This document contains proprietary information and may not be reproduced or copied without the express written permission of a duly authorised representative of MPD.

REV	DESCRIPTION	DSG	APR	DATE



NOTE :

1. Interface : IEC 169-4
2. Material and Finish
 Center contact : Beryllium-steel / Silver
 Body : Brass / Ternary-alloy
 Insulator : PTFE
3. Environmental data
 Operating Temperature : -45 ~ 120C°
 2002/95/EC (RoHS) : Compliant

<small>UNLESS OTHERWISE SPECIFIED : ALL DIMS IN MILLIMETERS TOLERANCES ON DECIMALS 1 PLACE ±0.20 AGGLE ±1.0° 1.6a 2 PLACE ±0.10 REMOVE BURRS. BREAK SHARP EDGES</small>				THIRD ANGLE 		 Microwave Passive Device	
DRAW	DESIGN	CHECK	APPRO.	TITLE			
<i>JM PARK</i>	<i>WY CHO</i>		<i>CU LEE</i>	7/16 STRAIGHT BULK-HEAD JACK			
2006.12.12	2006.12.12		2006.12.12				
Material			SEE NOTE 2.	SIZE	DWG NO.	REV	
Finish			SEE NOTE 2.	A4	D4005-320	A	
				Scale : NS Do Not Scale Drawing		1 of 1	